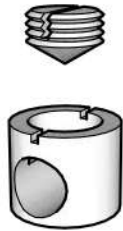


L45 D10

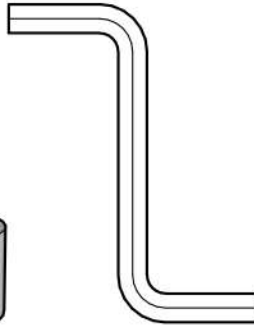
x6



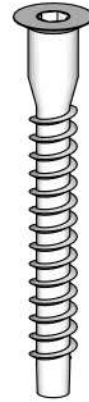
x6



x6



x2



x4

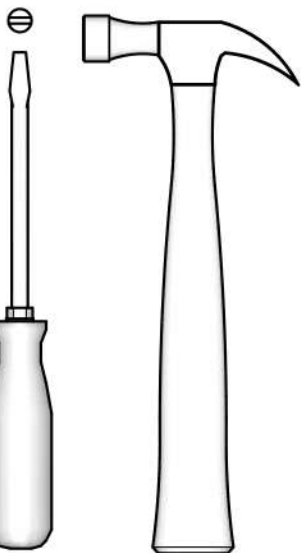


M6x50

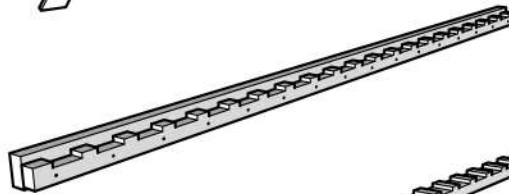
x4



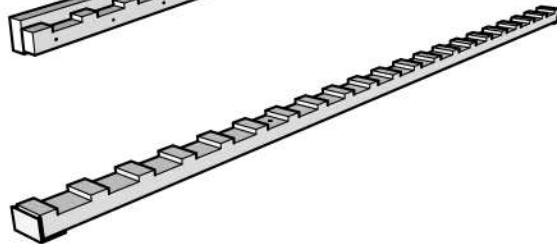
x4



x2



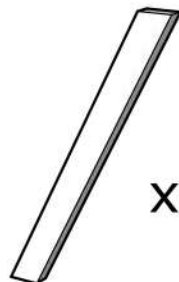
x2



x1



x20

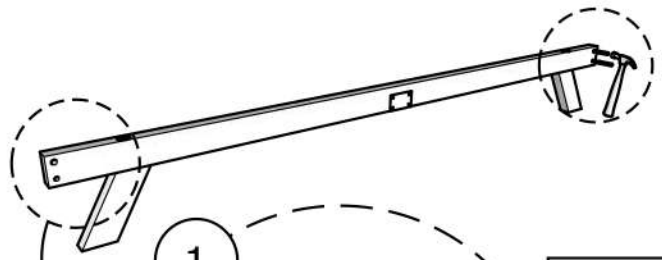
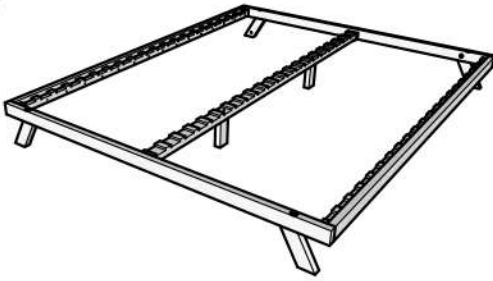


x2

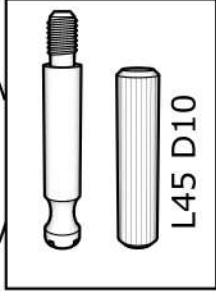
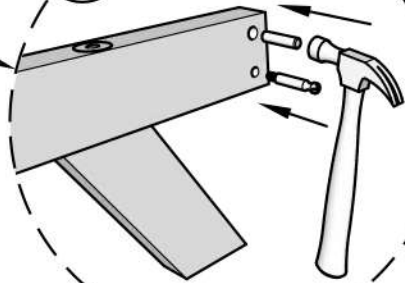


x1

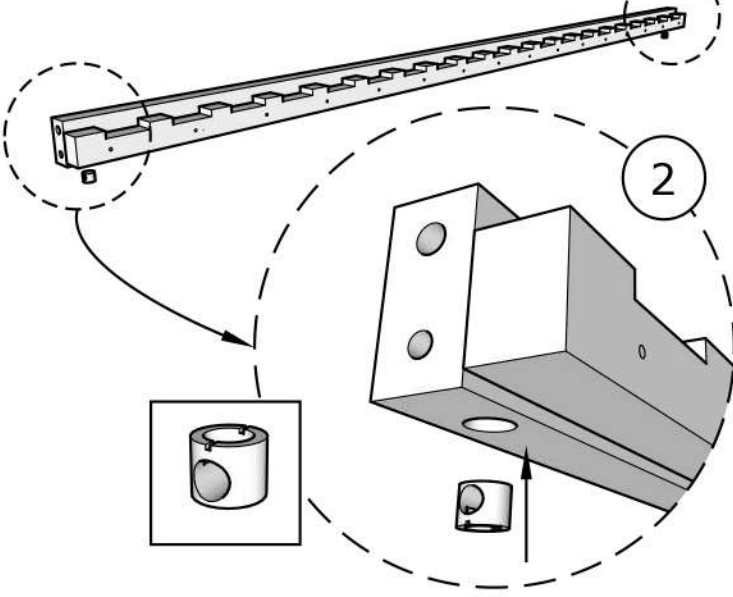
1



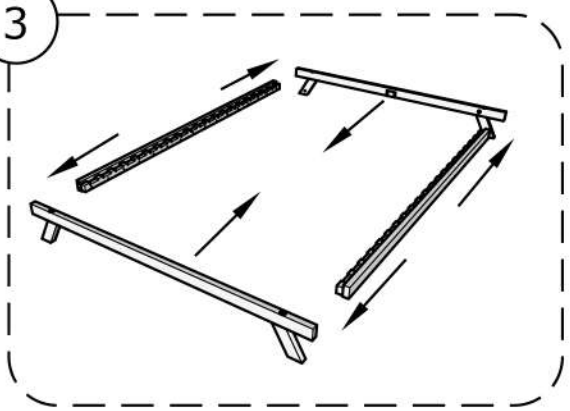
1



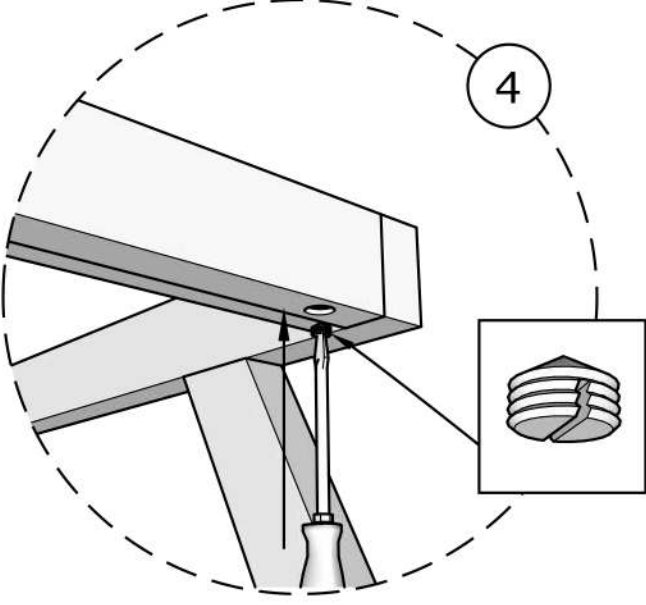
2



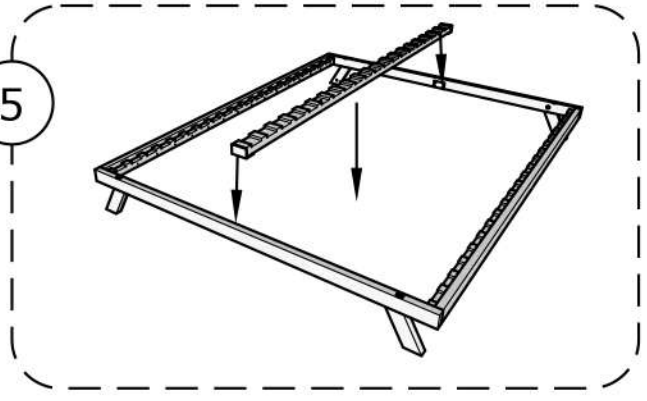
3



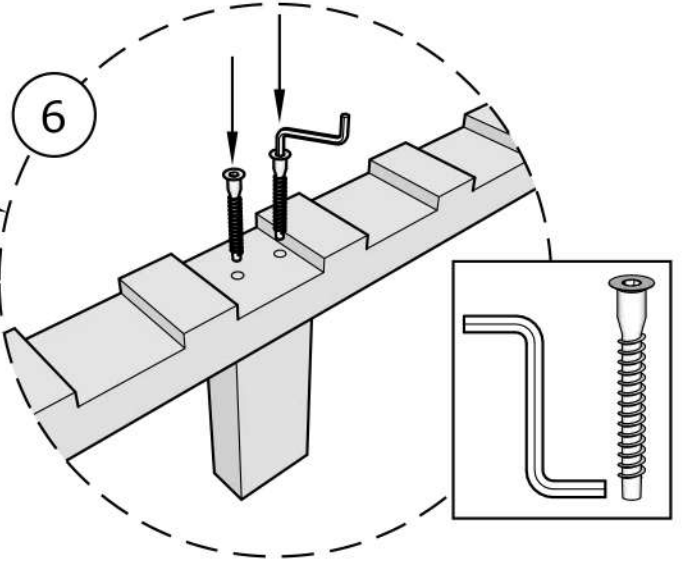
4



5



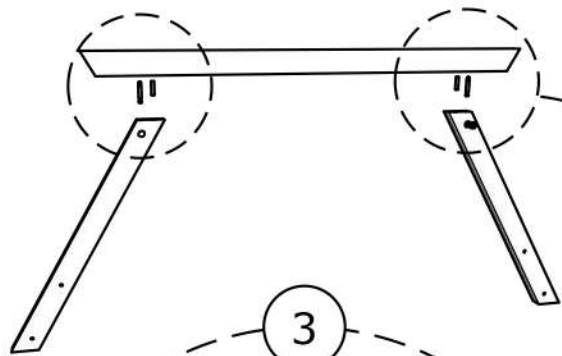
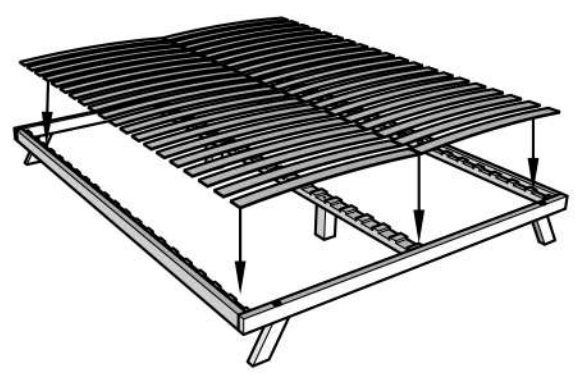
6



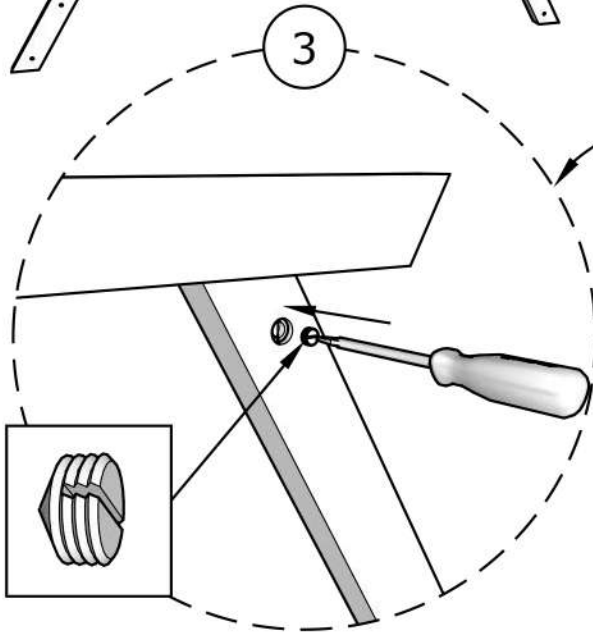
1



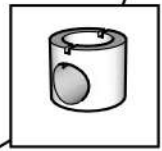
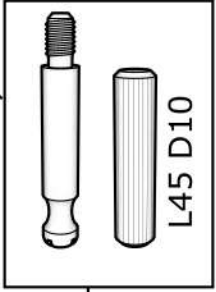
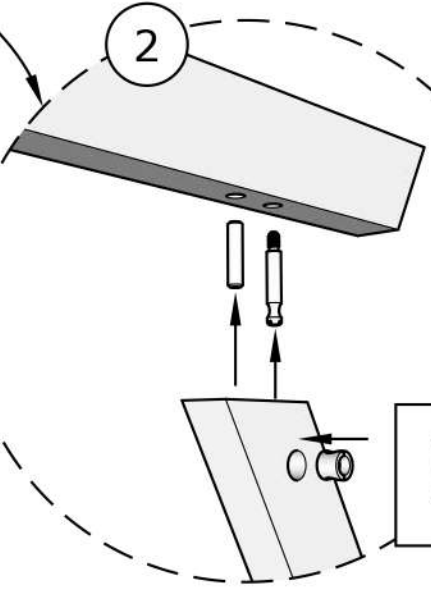
1



3



2



4

